

## DP15 Basic system 15 W

With the new DP 15 system, we are showing you two innovations which point the way to the future.

The compact diode-pumped beam source guarantees 15 W of laser output. In addition, the control concept, on the basis of high-power RISC power PC's, allows, among other features, real-time processing of the laser control.

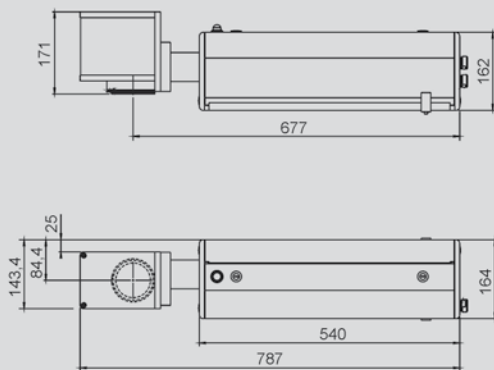
### Advantages

- Output power 15 Watt (CW)
- High laser beam quality
- No external cooling water
- Long working life of the laser diodes means little servicing
- Maximum resolution, distortion-free beam guidance

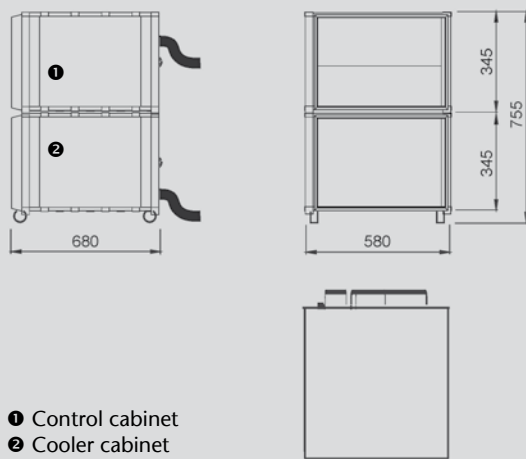


# DP 15

## Basic system 15 W



Laser head with standard scan head and lens



❶ Control cabinet  
❷ Cooler cabinet

### System

Marking field	110 x 110 mm <sup>2</sup> (f=160 mm)
Marking speed	up to 5000 mm/s up to 500 characters/s
Line width	100 µm (optionally 50 µm)

### Laser

Laser type	Nd:YAG, 1064 nm, diode pumped
Power (CW)	typical 15 W
(QS)	typical 7 kW/pulse (10 kHz)
Power stability	+/- 1.5 % (CW) +/- 5 % (QS, up to 8 kHz)
Output modes	Continuous wave operation (CW) Pulsed operation (QS, 0.5 - 65 kHz) Mixed operation (parameterizable)
Pulse energy	5 mJ (1 kHz)
Pulse width	70 ns (1 kHz)
Aperture	8 different diameters

### Control

PC	CompactPCI-PC
Operating system	MS Windows XP
Laser control	FOBAGRAF with Import functions of plt/dwg/dxf/ai/jpg/tif/pcx/bmp ...
Interfaces	serial, digital I/O, Ethernet, USB

### Installation

Electrical	1/N/PE, AC 230 V, ± 10%, 50/60 Hz
Power consumption	typical 1.6 kW
Cooling	Water/air cooler
Temperature	15 - 40 °C
Humidity	90 % (up to max. 20 °C) 30 % (up to max. 40 °C) non-condensing
Weight	Laser head approx. 15 kg <sup>1)</sup> Control cabinet approx. 60 kg <sup>2)</sup> Cooler cabinet approx. 60 kg <sup>2)</sup>
Degree of protection	Control-/Cooler cabinet IP 43 (IP54 <sup>3)</sup> ) Laser head IP 54
Safety	Class IV Laser

### Options

Pointer	Adjustment aid
Scan head	
Changeable lens	100 mm/163 mm/254 mm/420 mm

<sup>1)</sup> without F-Theta lens

<sup>2)</sup> with OEM-Components

<sup>3)</sup> optionally

# FOBA®

Laser Marking + Engraving

A Gerber Technology Company

FOBA  
Technology + Services GmbH  
Altenaer Straße 170  
D-58513 Lüdenscheid  
Germany

Tel. +49 (0) 23 51 996-0  
Fax +49 (0) 23 51 996-210  
sales@foba.de

www.foba.de  
www.gerbertechnology.com

